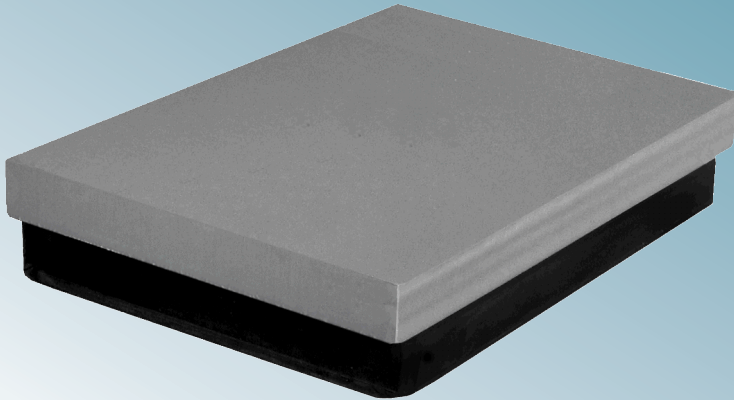
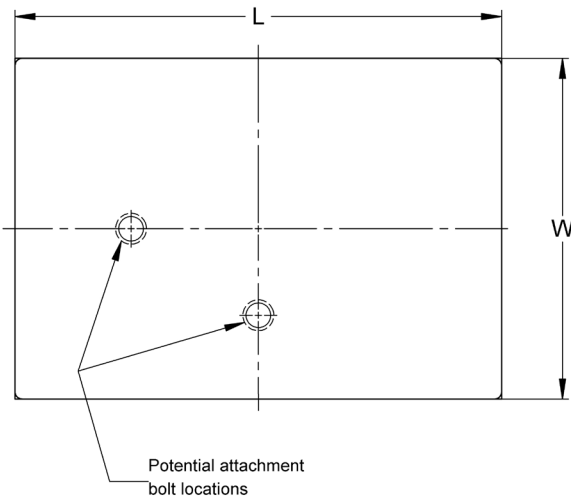


# MODEL: 16MXBN

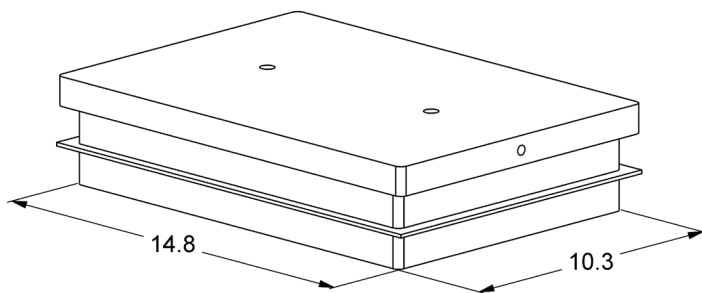
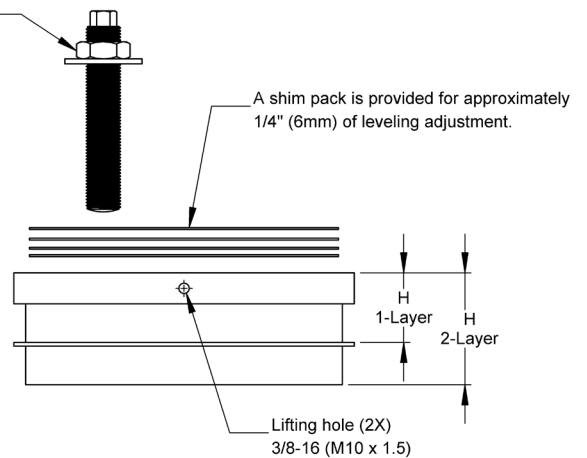


- Excellent isolation for effective control of vibration and shock.
- High-performance, multi-layer, modular elastomer construction.
- Shim leveling using metal shims supplied by Vibro/Dynamics.
- Large anchor bolts not required to keep machine from walking.
- Grout or sole plates are recommended, but usually not required due to wide foundation tilt and slope tolerance.

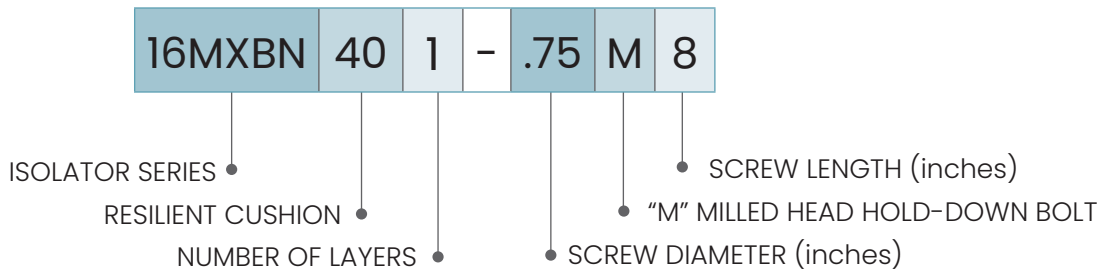
CUSTOM DESIGNS & SIZES ARE AVAILABLE



Optional attachment bolt  
For anchoring machine foot to isolator.  
Location varies with each order.



Isolator		L	W	H	Foundation Tolerances		Weight (lbs)	
Series	Model			Min. Installed Height ( $\pm 1/8"$ )	Flatness (inches $\pm$ )	Slope (inches/foot)		
16MXBN	1 Layer	16MXBN401	15.8	11	2.8	0.07	0.04	86
		16MXBN471	15.8	11	2.8	0.07	0.04	86
		16MXBN621	15.8	11	2.4	0.05	0.03	83
		16MXBN721	15.8	11	2.2	0.04	0.03	82
		16MXBN801	15.8	11	1.9	0.03	0.02	80
	2 Layer	16MXBN472	15.8	11	4.6	0.07	0.08	112
		16MXBN622	15.8	11	4.0	0.05	0.07	107
		16MXBN722	15.8	11	3.5	0.04	0.05	105
		16MXBN802	15.8	11	2.9	0.03	0.03	100



### TYPICAL APPLICATIONS

- Presses, Mechanical
- Forging Presses
- Transfer Presses
- Hydraulic Presses
- Isolated Foundations
- Structures

NOTE: Isolator data subject to change without notice.

02/11/2022