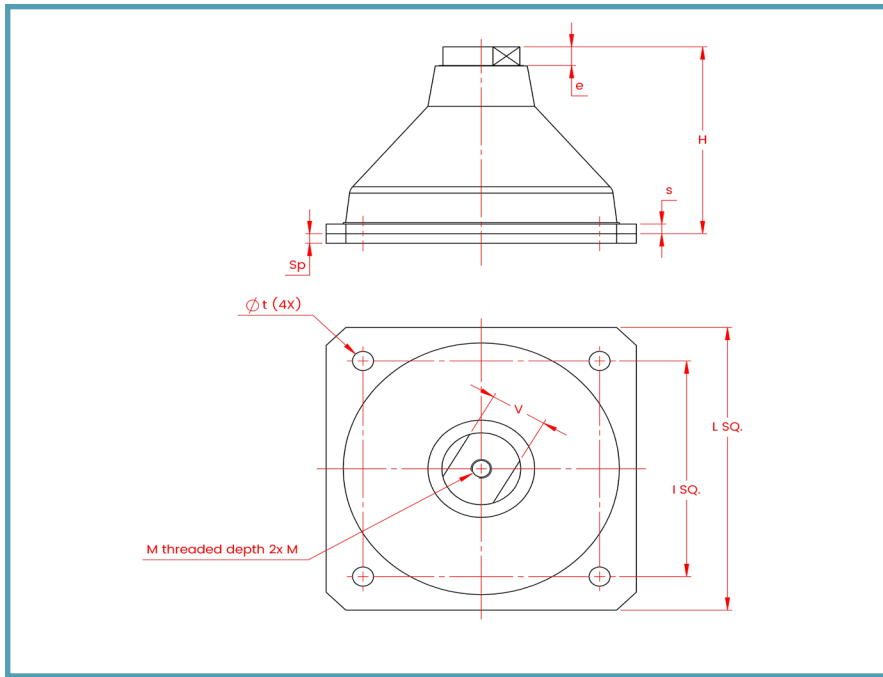


MODEL: VBFN45 SERIES



- Multidirectional vibration/shock isolators
- Between 1.8" [46mm] and 2.2" [56mm] in displacement under shock
- Transmissibility: $Q < 10$
- Maximum static load 3g
- 5 Hz resonant frequency for nominal load
- Superior temperature range: -20°F to 160°F (-29°C to 71°C)
- Great adaptability/versatility
- Custom by request

Dimensions are for reference only

Example:

Spacer: e10
thickness: 0.4in

V B F N 4 5 - 3 0 e 1 0



Prefix:
'low frequency' isolator from the VBFN45 series

Dimensions and Load												nominal load		axial stiffness		weight	
Model	H	L	I	e	v	t	M	s	Sp (in)	Sp (mm)	lbf.	daN	lbf/in	N/mm	lbf	Kg	
-30	3.9	5.9	4.5	0.4	1.1	0.4	M10	0.2	0.4	10	67	30	140	25	5.2	2.3	

Series
Material and finishes (RoHS compliant)

Elastomer:
Natural rubber

Interfaces:
Salt fog anti corrosion paint

Other materials by request

Dimensions and Load												nominal load		axial stiffness		weight	
Model	H	L	I	e	v	t	M	s	Sp (in)	Sp (mm)	lbf.	daN	lbf/in	N/mm	lbf	Kg	
-30	3.9 [99]	5.9 [150]	4.5 [114]	0.4 [10]	1.1 [28]	0.4 [10]	M10	0.2 [5]	-	-	67	30	140	25	2.6 (5.2)	1.2 (2.3)	
-45											100	45	230	35			
-60											130	60	290	50			
-85											180	85	370	65			
-110											250	110	490	85			
-130	290	130	570	100													
-170	5.0 [127]	6.5 [165]	5.5 [140]	0.5 [13]	1.6 [41]	0.5 [13]	M20	0.4 [10]	-	-	380	170	740	130	7.6 (8.5)	3.4 (3.8)	
-230											520	230	1000	175			
-320											720	320	1200	230			
-425											960	425	1700	300			
-500	6.1 [155]	9.8 [249]	8.3 [211]	0.6 [15]	1.6 [41]	0.7 [18]	M24	0.6 [15]	-	-	1100	500	2300	400	28	12.5	
-625											1400	625	2900	500			
-800											1800	800	3700	650			
-1080											2400	1080	4800	840			

NOTE: Isolator data subject to change without notice.

10/26/2020