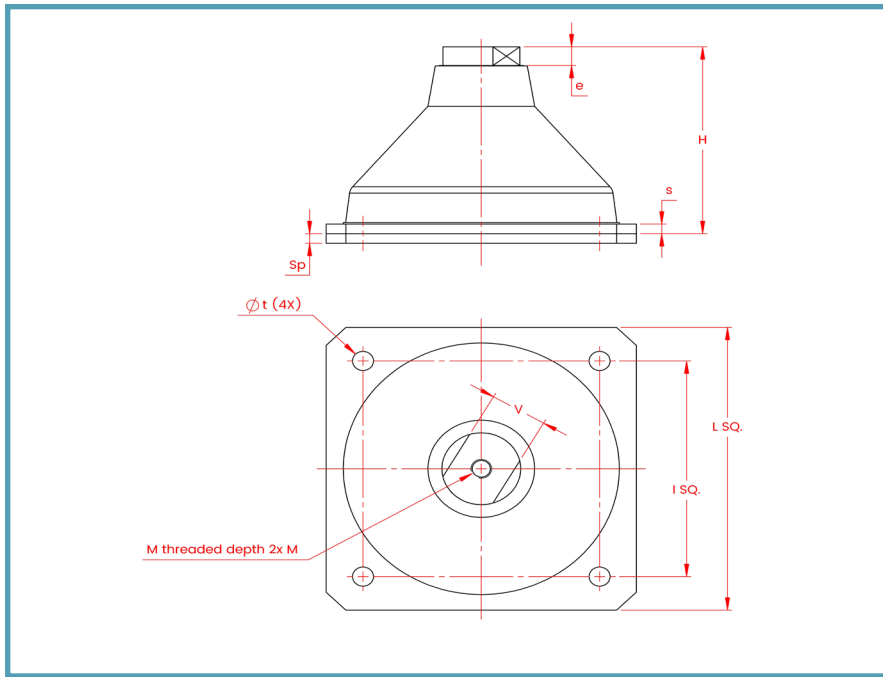


MODEL: VBF45 SERIES



- Multidirectional vibration/shock isolators
- Between 1.8" [46mm] and 3.0" [76mm] in displacement under shock
- Transmissibility: $Q < 10$
- 6 Hz resonant frequency for nominal load
- Superior temperature range: -20°F to 200°F (-29°C to 93°C)
- Great adaptability/versatility
- Custom by request

Dimensions are for reference only

Example:

Spacer: e10
thickness: 0.4in

V B F 4 5 - 1 1 0 e 1 0



Prefix:
'low frequency'
isolator from the
VBF45 series

| Dimensions and Load | | | | | | | | | | | | nominal load | | axial stiffness | | weight | |
|---------------------|-----|-----|-----|-----|-----|-----|-----|-----|-----|---------|------|--------------|--------|-----------------|-----|--------|--|
| Model | H | L | I | e | v | t | M | s | Sp | Sp (mm) | lbf. | daN | lbf/in | N/mm | lbf | Kg | |
| -110 | 3.9 | 5.9 | 4.5 | 0.4 | 1.1 | 0.4 | M10 | 0.2 | 0.4 | 10 | 67 | 30 | 140 | 25 | 5.2 | 2.3 | |

Series
Material and finishes (RoHS compliant)

Elastomer:
Polychloroprene

Interfaces:
Salt fog anti corrosion paint

Other materials by request

| Dimensions and Load | | | | | | | | | | | | nominal load | | axial stiffness | | weight | | |
|---------------------|--------------|--------------|--------------|-------------|-------------|-------------|-----|-------------|---------|----------------|------|--------------|--------|-----------------|------|--------|-----------------------|-----------------------|
| Model | H | L | I | e | v | t | M | s | Sp (in) | Sp (mm) | lbf. | daN | lbf/in | N/mm | lbf | Kg | | |
| -30 | 3.9 [100] | 5.9 [150] | 4.5 [114] | 0.4 [10] | 1.1 [27] | 0.4 [9] | M10 | 0.2 [5] | - | (0.4) (1.0) | - | (10) (25) | 67 | 30 | 140 | 25 | 2.6 (5.2) (7.9) | 1.2 (2.3) (3.5) |
| -45 | | | | | | | | | | | | | 100 | 45 | 230 | 35 | | |
| -60 | | | | | | | | | | | | | 130 | 60 | 290 | 50 | | |
| -85 | | | | | | | | | | | | | 190 | 85 | 370 | 65 | | |
| -110 | | | | | | | | | | | | | 250 | 110 | 490 | 85 | | |
| -130 | | | | | | | | | | | 290 | 130 | 570 | 100 | | | | |
| -170 | 5.0 [126] | 6.5 [165] | 5.5 [140] | 0.5 [13] | 1.6 [41] | 0.5 [13] | M20 | 0.4 [10] | - | (0.2) (0.6) | - | (5) (15) | 380 | 170 | 740 | 130 | 7.6 (8.5) (11) | 3.4 (3.8) (4.7) |
| -230 | | | | | | | | | | | | | 520 | 230 | 1000 | 175 | | |
| -320 | | | | | | | | | | | | | 720 | 320 | 1200 | 230 | | |
| -425 | | | | | | | | | | | | | 960 | 425 | 1700 | 300 | | |
| -500 | | | | | | | | | | | | | 1100 | 500 | 2300 | 400 | | |
| -625 | 6.1 [154] | 9.8 [250] | 8.3 [210] | 0.6 [14] | 1.6 [41] | 0.7 [18] | M24 | 0.6 [15] | - | - | - | - | 1400 | 625 | 2900 | 500 | 28 | 12.5 |
| -800 | | | | | | | | | | | | | 1800 | 800 | 3700 | 650 | | |
| | | | | | | | | | | | | | 2400 | 1080 | 4800 | 840 | | |
| -1080 | | | | | | | | | | | | | | | | | | |

NOTE: Isolator data subject to change without notice.

10/26/2020