

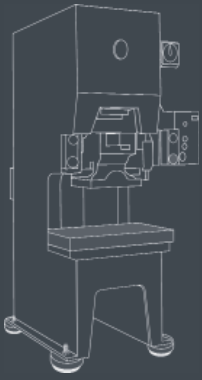
Machine Mounts for Precision Industrial Machinery

MICRO/LEVEL® ISOLATORS
Series 2, 6 and 8



Your best way to install and level machines
for effective control of vibration and noise

TYPICAL APPLICATIONS



Metalworking Presses

Mechanical and Hydraulic
Turret Punch
Gap Frame
Brakes
Shears

Precision Machine Tools

Broaching Machines
Cold Headers
Drills
Gear Hobbers
Jig Grinders
Lathes
Machining Centers
Milling Machines
Precision Grinders
Saws
Transfer Lines
Upsetters
Wire EDM

Die Casting & Plastic Molding

Die Cast Machines
Injection & Blow Molders

Metal Container

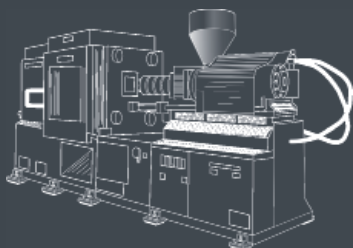
Bodymakers and Wall-Ironers
Necker Flangers
Decorators and Fillers

Measuring Equipment

Coordinate Measuring Machines
Optical Comparators
Surface Plates

Others

Pumps
Textile Machinery
Turbine Generators
Transformers
Woodworking Equipment



Faster, Easier Installation

Micro/Level Isolators eliminate the need for anchor bolts, shims, and grout. In most cases, no special foundations are required, getting you into production faster with minimum installation costs.

Vibration Control

Actual field tests showed that transmitted vibration can be reduced up to 98% with Micro/Level Isolators, improving machine performance, product quality, and protecting sensitive equipment and neighbors.

Precision Leveling and Alignment

The Micro/Level Isolator design makes precision leveling adjustments fast and easy. The isolator's leveling screw provides far greater leveling accuracy than shims or grout. Machinery relocations are just as fast, and if your floor or foundation should settle, releveling adjustments can be made with a simple turn of the wrench.

Proper Machine Support - Fine/Tuning

Precision leveling is critical to proper machine support. A machine can be level, yet not properly supported. Fine/Tuning is a process of making small, precise adjustments using the isolator's leveling screw to provide precise machine support. Fine/Tuning eliminates machine bed twist caused by improper support. Benefits include improved part quality, repeatability, and increased machine and tooling life.

Noise Reduction

A reduction in vibration results in a decrease in structural-borne noise. Noise reductions as high as 6.5 dB have been achieved using Micro/Level Isolators. Improved working conditions and reduced neighbor complaints are obvious benefits.

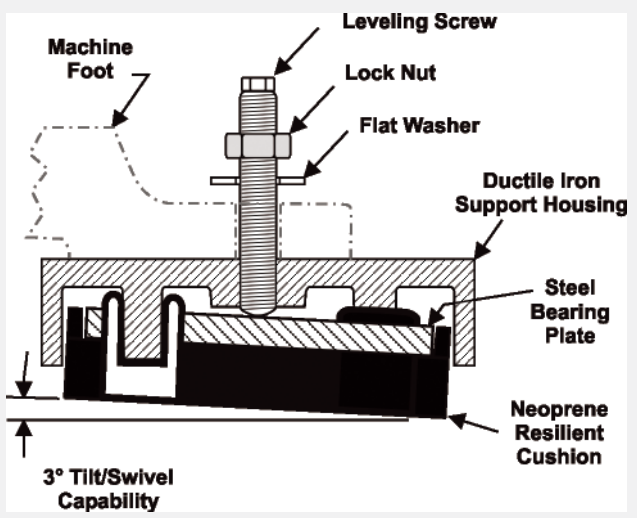
Meets OSHA Anchoring Requirements

The custom-engineered elastomers in Micro/Level Isolators offer an excellent coefficient of friction to eliminate machine walking to meet the OSHA anchoring requirements.



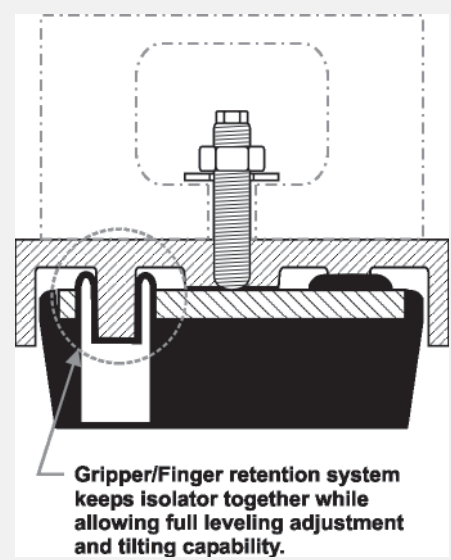
Easy & Economical Installations.

"L" & "K" Types



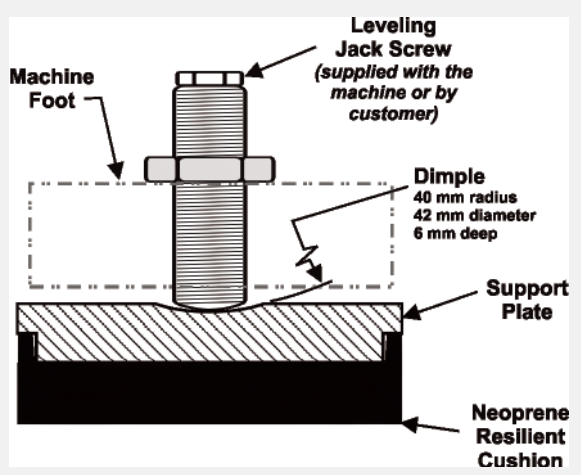
Series 2L, 6L and 8L isolators are ideal for machine tool and punch press applications. Series 6K and 8K isolators are the best choice for machines generating high inertia force like high-speed presses, die cast machines, cold headers and plastic injection molders.

"M" Type



Series 6M and 8M are very soft isolators with thick elastomers designed to protect precision equipment in high vibration environments. These isolators are designed for Non-Impact machines generating very low inertia. Ideal for coordinate measuring machines, surface plates, jig grinders and EDMs.

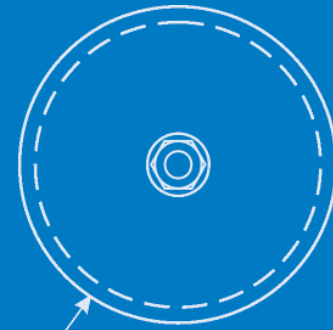
"i" Type



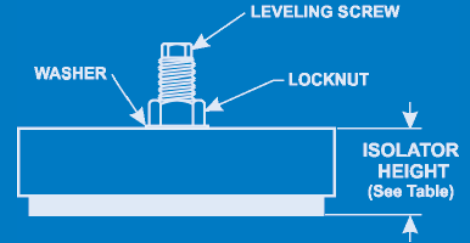
Series 6iK, 6iL, 6iM, 8iK, 8iL and 8iM have all of the above isolator characteristics, but are designed specifically for machines with leveling jack screws in their base. These isolators simply slide under the jack screws, replacing the existing leveling pads.

MICRO/LEVEL® ISOLATORS

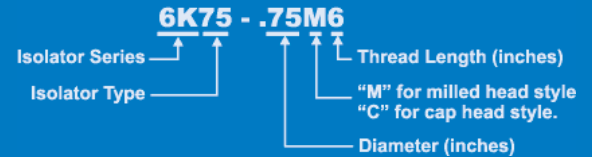
ISOLATOR SPECIFICATIONS							
Isolator Model	Leveling Screw Diameter & Pitch	Maximum Load (lbs.)		Isolator Dimensions (inches)			
		Presses	Machine Tools	Diameter	Minimum Height	Leveling Adjustment	
2L4	0.25-20 UNC	25	25	2.5	1	0.25	
2L10		50	50				
2L20		100	100				
6L17	0.375-16 UNC	850	1275	5.63	1.75	0.5	
	0.5-13 UNC						
	0.625-11 UNC						
6L40	0.375-16 UNC	2200	2300	5.63	1.75	0.5	
	0.5-13 UNC						
	0.625-11 UNC						
6K75	0.375-16 UNC	850	1275	5.63	1.88	0.5	
	0.5-13 UNC						
	0.625-11 UNC						
6iL	Leveling Screws are not supplied.			5.0	1.5		
6iK	40mm radius - 6 mm deep dimple provided.						
8L150	0.625-11 UNC	3500	5250	8.13	2.5	0.75	
	0.75-10 UNC	5300	7200				
	1-14 UNS	7200	7200				
8L220	0.625-11 UNC	3500	5250	8.13	2.5	0.75	
	0.75-10 UNC	5300	7950				
	1-14 UNS	9300	9300				
8K80	0.625-11 UNC	3500	5250	8.13	2.5	0.75	
	0.75-10 UNC	5300	7950				
	1-14 UNS	11,000	11,000				
8iL	Leveling Screws are not supplied.			7.5	2.0		
8iK	40 mm radius - 6 mm deep dimple provided.						
6M7	0.375-16 UNC	<i>These isolators are not recommended for presses.</i>	1000	5.63	2.5	0.5	
	0.5-13 UNC						
	0.625-11 UNC						
6M10	0.375-16 UNC			1200	5.63	2.5	0.5
	0.5-13 UNC						
	0.625-11 UNC						
6M15	0.375-16 UNC			1275	5.63	2.5	0.5
	0.5-13 UNC						
	0.625-11 UNC						
6M22	0.375-16 UNC			1275	5.63	2.5	0.5
	0.5-13 UNC						
	0.625-11 UNC						
6iM	Leveling Screws are not supplied. 40 mm radius - 6 mm deep dimple provided.			5.0	2.18		
8M32	0.625-11 UNC	<i>These isolators are not recommended for presses.</i>	3800	8.13	3.13	0.75	
	0.75-10 UNC						
	1-14 UNS						
8M55	0.625-11 UNC			4900	8.13	3.13	0.75
	0.75-10 UNC						
	1-14 UNS						
8M85	0.625-11 UNC			5250	8.13	3.13	0.75
	0.75-10 UNC						
	1-14 UNS						
8iM	Leveling Screws are not supplied. 40 mm radius - 6 mm deep dimple provided.			7.5	2.37		



DIAMETER
(See Table)



ISOLATOR MODEL NUMBER KEY



LEVELING SCREW SELECTION TABLE

Leveling Screw Model	Foot Thickness Up To: (inch)		
	Isolator Series		
	2	6	8
.25C1	0.38		
.375C4		2.4	
.375C6		4.4	
.5M3		1.3	
.5M5		3.3	
.5M8		6.3	
.625M4		2.2	1.5
.625M5		3.2	2.5
.625M6		4.2	3.5
.625M8		6.2	6.5
.75M4			1.5
.75M6			3.5
.75M8			5.5
1M4			1.4
1M5			2.4
1M6			3.4
1M8			5.4

Note: The machine mounting hole is used as a clearance hole for the isolator leveling screw.

VIBRO/DYNAMICS LLC
2443 Braga Drive, Broadview, IL 60155-3941

Telephone 708.345.2050 Fax 708.345.2225
Toll-Free 800.842.7668 in the U.S.A.
website - www.vibrodynamics.com
email - vibro@vibrodynamics.com