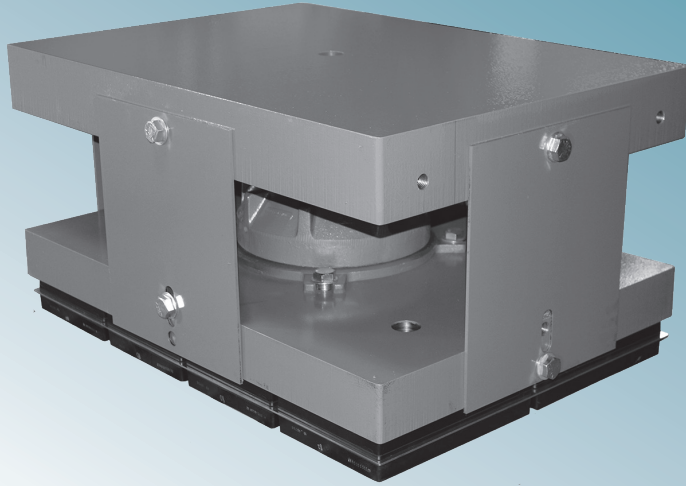
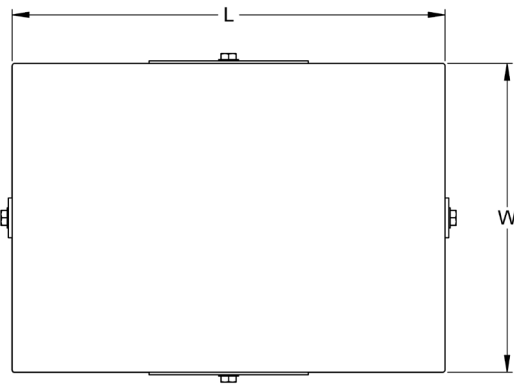


MODEL: 44MXLP & 46MXLP



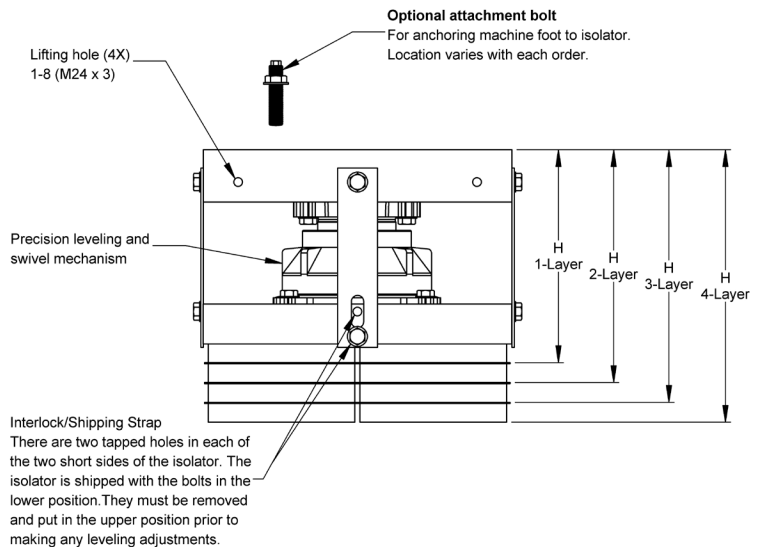
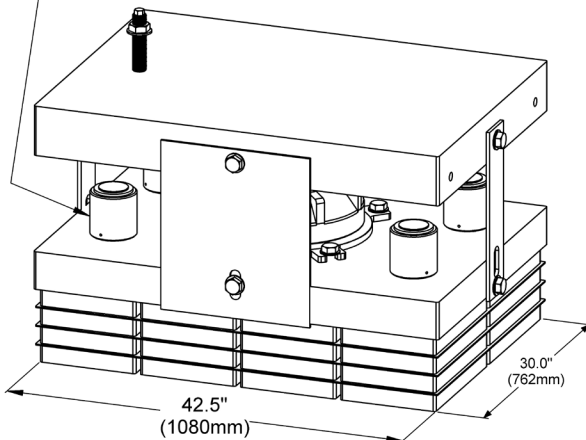
- Excellent isolation for effective control of vibration and shock
- High-performance, multi-layer, modular elastomer construction
- Hydra/Level® Assisted Leveling
 - faster, easier leveling, alignment and elevation adjustment
 - preventative maintenance insurance in the event of foundation settling.
- Integrated precision leveling
 - more precise
 - infinitely adjustable
- Two degree swiveling capability for:
 - uniform support
 - elimination of foundation, grout, or sole plates



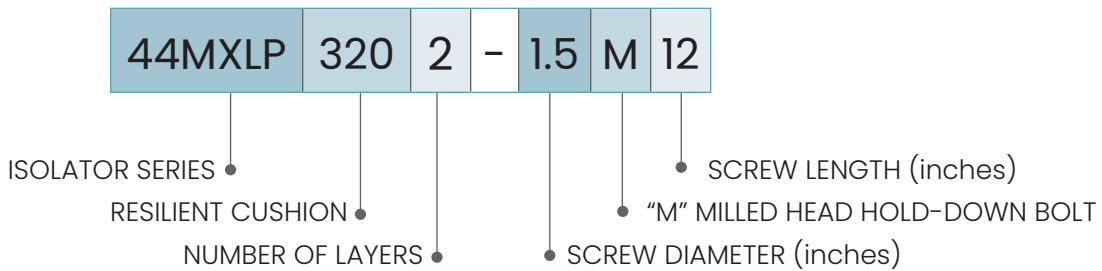
Hydraulic Cylinders used in MX Products are available from third party sources. See Specifications below.

Isolator Model	Cylinder Capacity		Number of Cylinders Required	Cylinder Dimensions				Cylinder Stroke	
				Diameter (max.)		Height (max.)			
	US Tons	MN		inch	mm	inch	mm	inch	mm
44MXLP	248	2.21	4	14	356	8.3	220	2.38	60
46MXLP	288	2.56	4						

Hydraulic cylinders can be inserted into isolator for precision leveling and alignment of machine. Cylinders are available from Vibro/Dynamics or other hydraulic cylinder provided.



Isolator		L	W	H ±1/8"			Weight (lbs)	
Series	Model			Min	Max	Installed		
44MXLP	1 Layer	44MXLP3201	43.5	31.0	20.3	22.3	21.3	4063
		44MXLP3801	43.5	31.0	20.3	22.3	21.3	4063
		44MXLP4961	43.5	31.0	19.9	21.9	20.9	4087
46MXLP		46MXLP5761	43.5	31.0	20.2	22.2	21.2	4257
44MXLP	2 Layer	44MXLP3202	43.5	31.0	22.1	24.1	23.1	4275
		44MXLP3802	43.5	31.0	22.1	24.1	23.1	4275
		44MXLP4962	43.5	31.0	21.5	23.5	22.5	4300
46MXLP		46MXLP5762	43.5	31.0	21.5	23.5	22.5	4452
44MXLP	3 Layer	44MXLP3203	43.5	31.0	24.0	26.0	25.0	4480
		44MXLP3803	43.5	31.0	24.0	26.0	25.0	4480
		44MXLP4963	43.5	31.0	23.0	25.0	24.0	4508
46MXLP		46MXLP5763	43.5	31.0	22.8	24.8	23.8	4640
44MXLP	4 Layer	44MXLP3204	43.5	31.0	25.9	27.9	26.9	4685
		44MXLP3804	43.5	31.0	25.9	27.9	26.9	4685
		44MXLP4964	43.5	31.0	24.5	26.5	25.5	4715
46MXLP		46MXLP5764	43.5	31.0	24.1	26.1	25.1	4828



TYPICAL APPLICATIONS

- Presses, Mechanical
- Forging Presses
- Transfer Presses
- Hydraulic Presses
- Isolated Foundations
- Structures

NOTE: Isolator data subject to change without notice.

05/07/2019