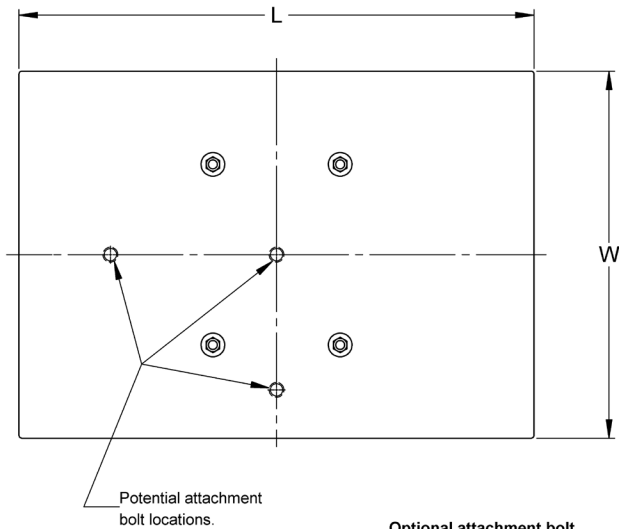


MODEL: 44MXBN & 46MXBN

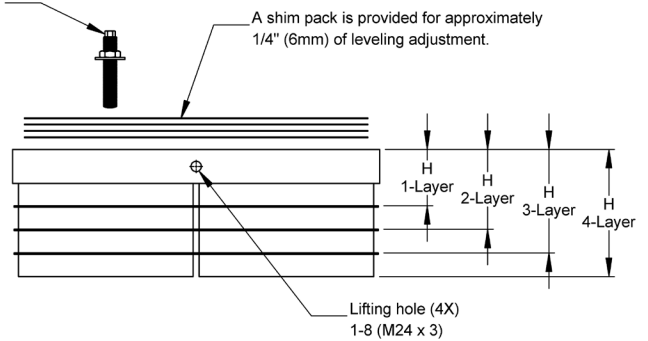
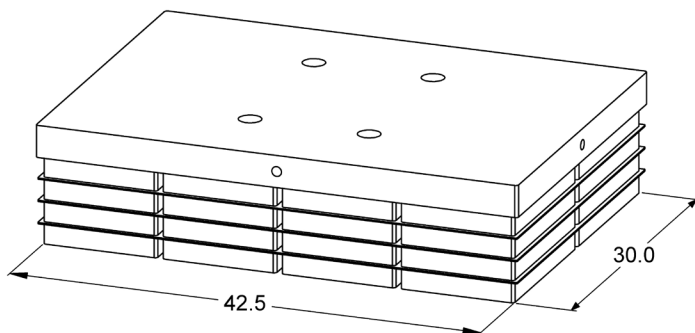


- Excellent isolation for effective control of vibration and shock.
- High-performance, multi-layer, modular elastomer construction.
- Shim leveling using metal shims supplied by Vibro/Dynamics.
- Large anchor bolts not required to keep machine from walking.
- Grout or sole plates are recommended, but usually not required due to wide foundation tilt and slope tolerance.

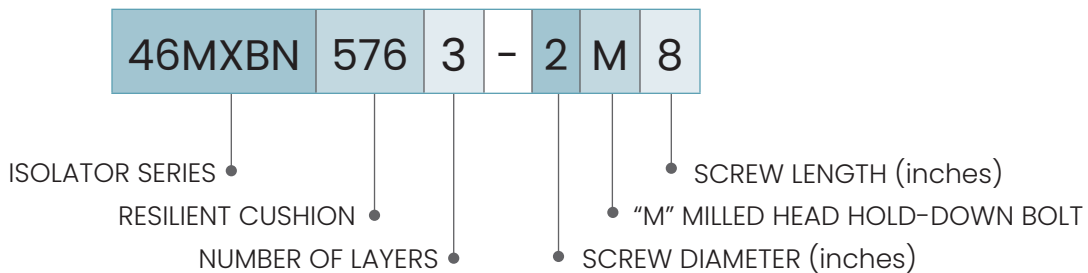
CUSTOM DESIGNS & SIZES ARE AVAILABLE



Optional attachment bolt
For anchoring machine foot to isolator.
Location varies with each order.



Isolator		L	W	H	Foundation Tolerances		Weight (lbs)	
Series	Model			Min. Installed Height (± 1/8")	Flatness (inches ±)	Slope (inches/foot)		
44MXBN	1 Layer	44MXBN3801	43.5	31.0	4.7	0.07	0.02	1316
		44MXBN4961	43.5	31.0	4.3	0.05	0.02	1316
46MXBN		46MXBN5761	43.5	31.0	4.1	0.04	0.01	1296
44MXBN	2 Layer	44MXBN3802	43.5	31.0	6.6	0.07	0.04	1528
		44MXBN4962	43.5	31.0	5.9	0.05	0.03	1528
46MXBN		46MXBN5762	43.5	31.0	5.4	0.04	0.03	1487
44MXBN	3 Layer	44MXBN3803	43.5	31.0	8.5	0.07	0.06	1738
		44MXBN4963	43.5	31.0	7.4	0.05	0.05	1739
46MXBN		46MXBN5763	43.5	31.0	6.7	0.04	0.04	1678
44MXBN	4 Layer	44MXBN3804	43.5	31.0	10.4	0.07	0.08	1950
		44MXBN4964	43.5	31.0	9.0	0.05	0.07	1950
46MXBN		46MXBN5764	43.5	31.0	8.0	0.04	0.05	1868



TYPICAL APPLICATIONS

- Presses, Mechanical
- Forging Presses
- Transfer Presses
- Hydraulic Presses
- Isolated Foundations
- Structures

NOTE: Isolator data subject to change without notice.

05/09/2019