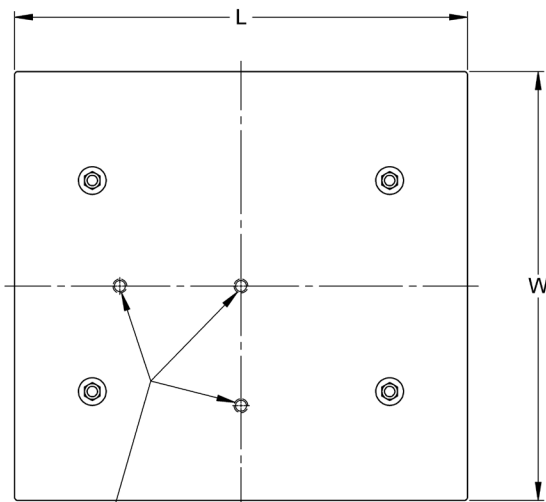


# MODEL: 35MXBN & 36MXBN



- Excellent isolation for effective control of vibration and shock.
- High-performance, multi-layer, modular elastomer construction.
- Shim leveling using metal shims supplied by Vibro/Dynamics.
- Large anchor bolts not required to keep machine from walking.
- Grout or sole plates are recommended, but usually not required due to wide foundation tilt and slope tolerance.

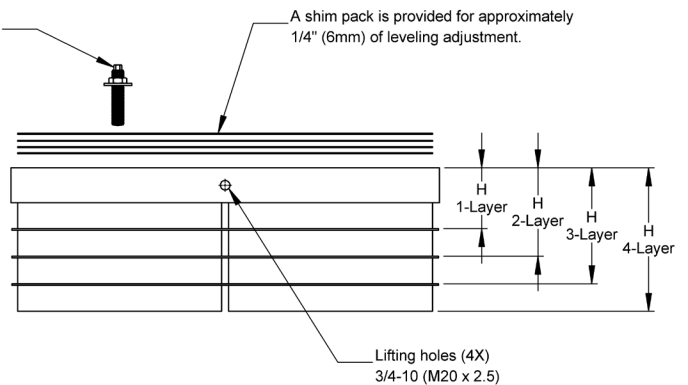
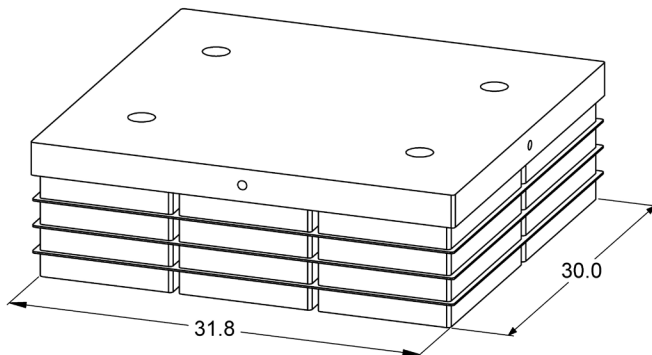
CUSTOM DESIGNS & SIZES ARE AVAILABLE



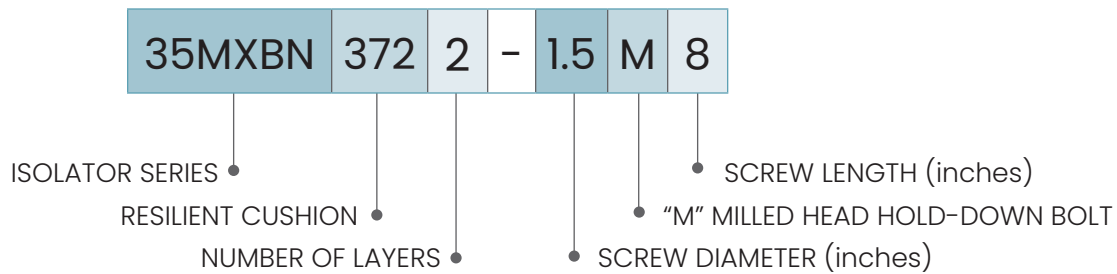
Potential attachment bolt locations

**Optional attachment bolt**  
For anchoring machine foot to isolator.  
Location varies with each order.

A shim pack is provided for approximately 1/4" (6mm) of leveling adjustment.



Isolator		L	W	H	Foundation Tolerances		Weight (lbs)	
Series	Model			Min. Installed Height (± 1/8")	Flatness (inches ±)	Slope (inches/foot)		
35MXBN	1 Layer	35MXBN2851	32.8	31.0	4.3	0.07	0.03	888
		35MXBN3721	32.8	31.0	4.0	0.05	0.02	888
36MXBN	1 Layer	36MXBN4321	32.8	31.0	3.7	0.04	0.02	873
		36MXBN4801	32.8	31.0	3.4	0.03	0.01	867
35MXBN	2 Layer	35MXBN2852	32.8	31.0	6.2	0.07	0.06	1043
		35MXBN3722	32.8	31.0	5.5	0.05	0.05	1042
36MXBN	2 Layer	36MXBN4322	32.8	31.0	5.0	0.04	0.04	1012
		36MXBN4802	32.8	31.0	4.3	0.03	0.02	1000
35MXBN	3 Layer	35MXBN2853	32.8	31.0	8.1	0.07	0.09	1197
		35MXBN3723	32.8	31.0	7.1	0.05	0.07	1196
36MXBN	3 Layer	36MXBN4323	32.8	31.0	6.4	0.04	0.06	1151
		36MXBN4803	32.8	31.0	5.3	0.03	0.03	1133
35MXBN	4 Layer	35MXBN2854	32.8	31.0	10.0	0.07	0.12	1351
		35MXBN3724	32.8	31.0	8.6	0.05	0.09	1350
36MXBN	4 Layer	36MXBN4324	32.8	31.0	7.7	0.04	0.07	1290
		36MXBN4804	32.8	31.0	6.3	0.03	0.05	1265



### TYPICAL APPLICATIONS

- Presses, Mechanical
- Forging Presses
- Transfer Presses
- Hydraulic Presses
- Isolated Foundations
- Structures

**NOTE: Isolator data subject to change without notice.**

**05/09/2019**