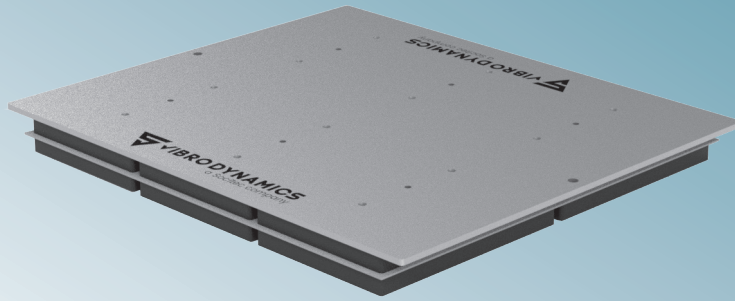
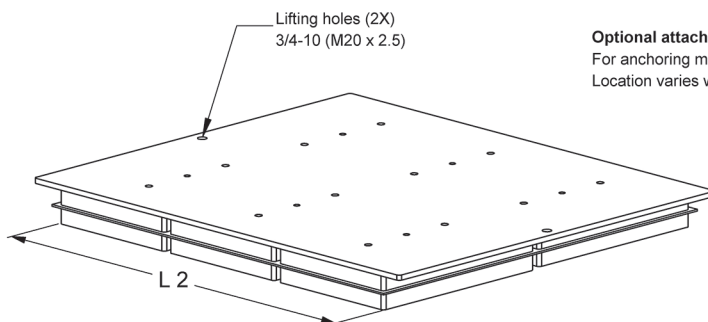
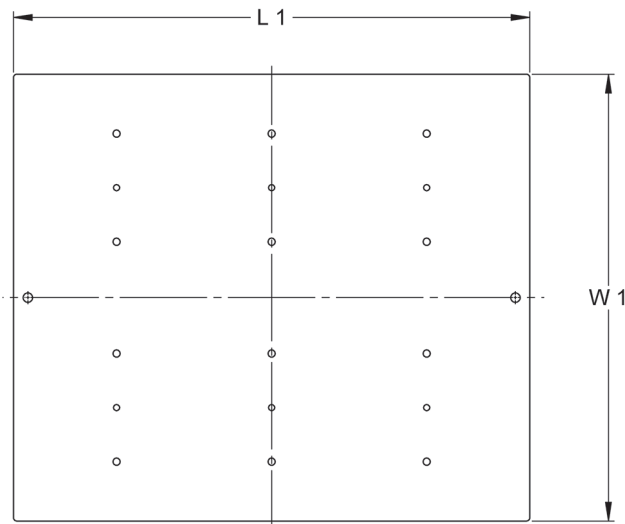


MODEL: 35MXBL & 36MXBL



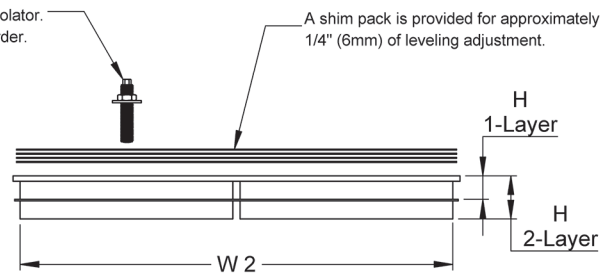
- Excellent isolation for effective control of vibration and shock.
- High-performance, multi-layer, modular elastomer construction.
- Shim leveling using metal shims supplied by Vibro/Dynamics.
- Large anchor bolts not required to keep machine from walking.
- Grout or sole plates are recommended, but usually not required due to wide foundation tilt and slope tolerance.

CUSTOM DESIGNS & SIZES ARE AVAILABLE

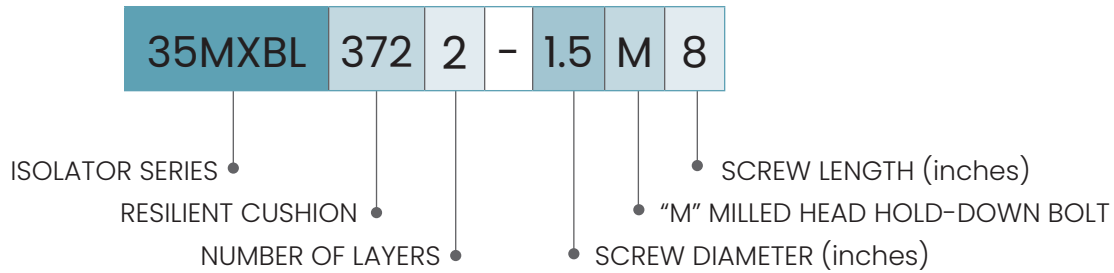


Optional attachment bolt

For anchoring machine to isolator.
Location varies with each order.



Isolator		L ₁	W ₁	L ₂	W ₂	H	Foundation Tolerances		Weight (lbs)	
Series	Model					Min. Installed Height (± 1/8")	Flatness (inches ±)	Slope (inches/foot)		
35MXBL	1 Layer	35MXBL2851	35.8	31.0	31.8	30.0	2.2	0.07	0.03	365
		35MXBL3721	35.8	31.0	31.8	30.0	1.8	0.05	0.02	345
36MXBL		36MXBL4321	35.8	31.0	31.8	30.0	1.6	0.04	0.02	340
35MXBL	2 Layer	35MXBL2852	35.8	31.0	31.8	30.0	4.1	0.07	0.06	530
		35MXBL3722	35.8	31.0	31.8	30.0	3.3	0.05	0.05	495
36MXBL		36MXBL4322	35.8	31.0	31.8	30.0	2.9	0.04	0.04	475



TYPICAL APPLICATIONS

- Presses, Mechanical
- Forging Presses
- Transfer Presses
- Hydraulic Presses
- Isolated Foundations
- Structures

NOTE: Isolator data subject to change without notice.

03/29/2019