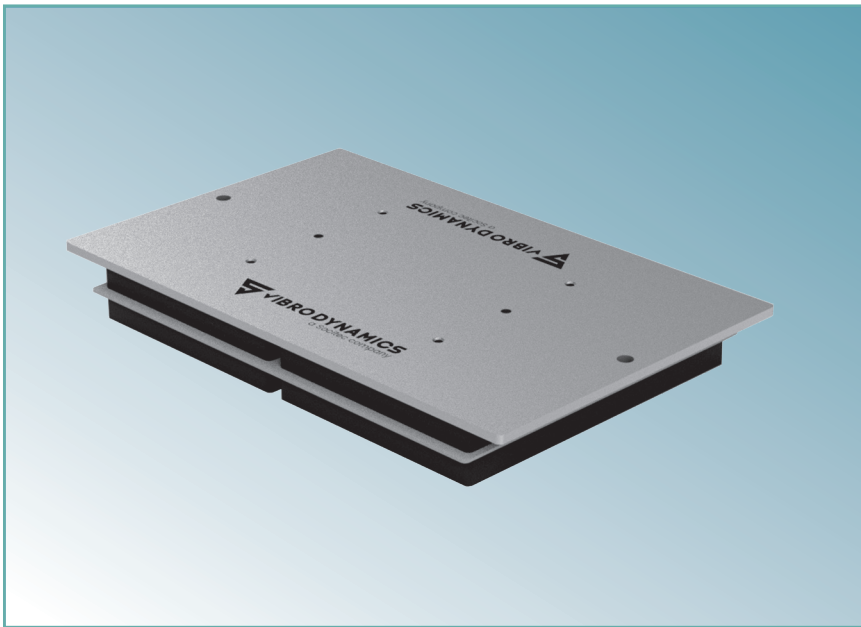
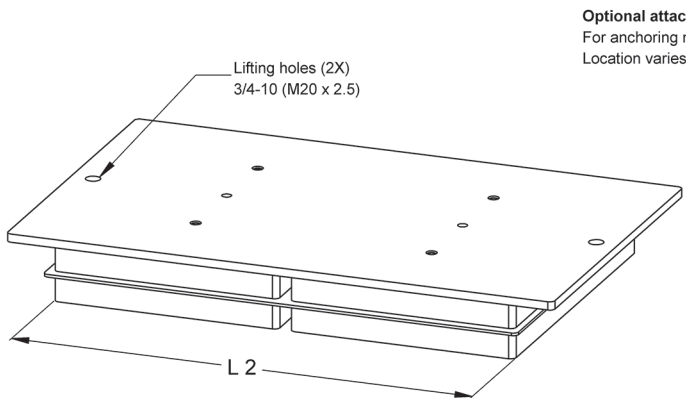
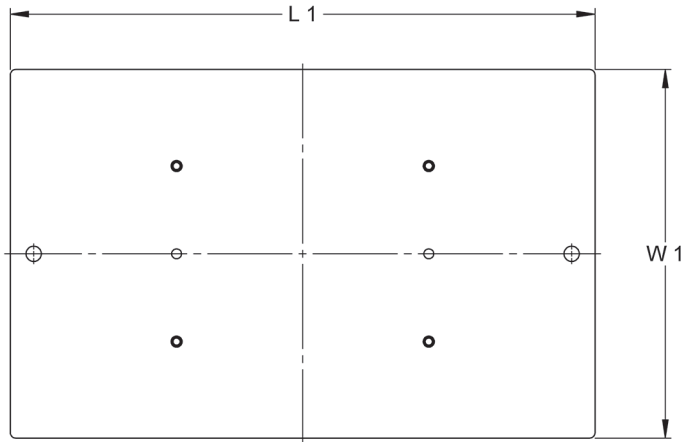


# MODEL: 24MXBL & 25MXBL

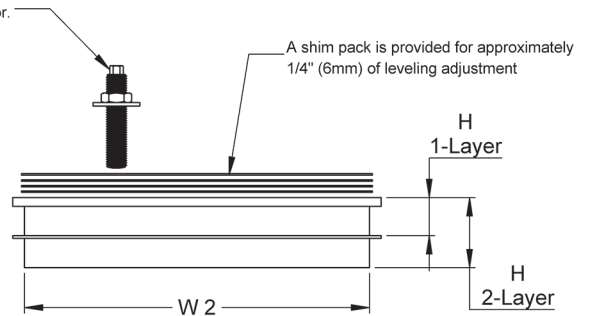


- Excellent isolation for effective control of vibration and shock.
- High-performance, multi-layer, modular elastomer construction.
- Shim leveling using metal shims supplied by Vibro/Dynamics.
- Large anchor bolts not required to keep machine from walking.
- Grout or sole plates are recommended, but usually not required due to wide foundation tilt and slope tolerance.

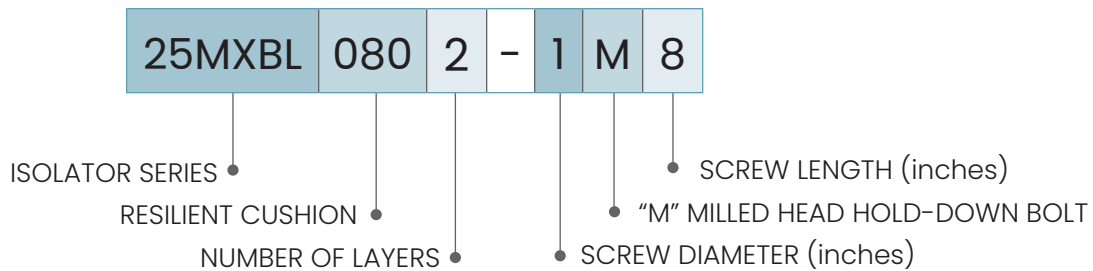
CUSTOM DESIGNS & SIZES ARE AVAILABLE



**Optional attachment bolt**  
For anchoring machine to isolator.  
Location varies with each order.



Isolator		L <sub>1</sub>	W <sub>1</sub>	L <sub>2</sub>	W <sub>2</sub>	H	Foundation Tolerances		Weight (lbs)	
Series	Model					Min. Installed Height (± 1/8")	Flatness (inches ±)	Slope (inches/foot)		
24MXBL	1 Layer	24MXBL0801	25	15.8	20.7	10.3	2.1	0.07	0.04	112
		24MXBL0951	25	15.8	20.7	10.3	2.2	0.07	0.04	113
		24MXBL1241	25	15.8	20.7	10.3	1.8	0.05	0.03	108
25MXBL		25MXBL1441	25	15.8	20.7	10.3	1.6	0.04	0.03	105
24MXBL	2 Layer	24MXBL0802	25	15.8	20.7	10.3	4.0	0.07	0.09	164
		24MXBL0952	25	15.8	20.7	10.3	4.1	0.07	0.09	165
		24MXBL1242	25	15.8	20.7	10.3	3.3	0.05	0.07	155
25MXBL		25MXBL1442	25	15.8	20.7	10.3	2.9	0.04	0.03	149



### TYPICAL APPLICATIONS

- Presses, Mechanical
- Forging Presses
- Transfer Presses
- Hydraulic Presses
- Isolated Foundations
- Structures

**NOTE: Isolator data subject to change without notice.**

**05/07/2019**