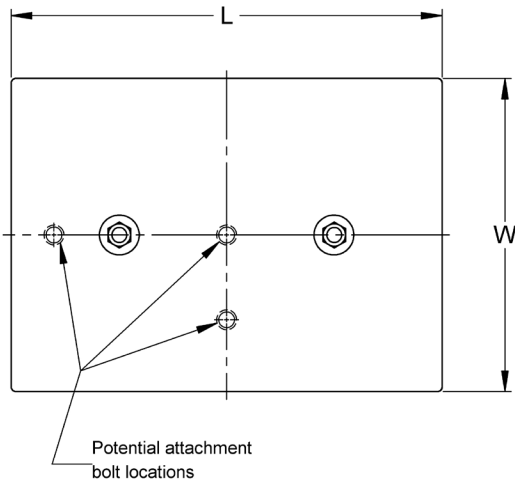


# MODEL: 24MXBN & 25MXBN

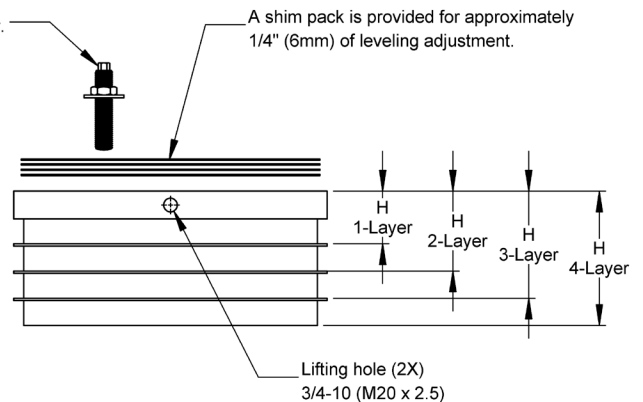
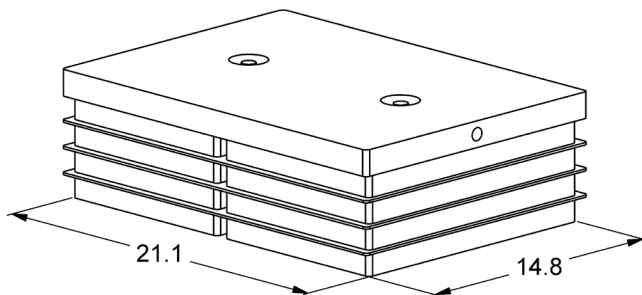


- Excellent isolation for effective control of vibration and shock.
- High-performance, multi-layer, modular elastomer construction.
- Shim leveling using metal shims supplied by Vibro/Dynamics.
- Large anchor bolts not required to keep machine from walking.
- Grout or sole plates are recommended, but usually not required due to wide foundation tilt and slope tolerance.

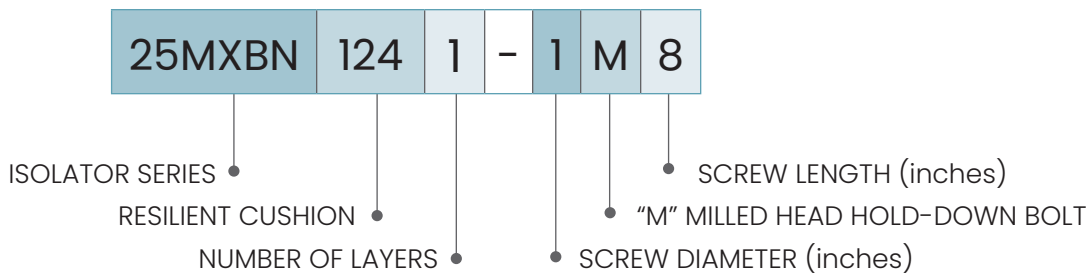
CUSTOM DESIGNS & SIZES ARE AVAILABLE



**Optional attachment bolt**  
For anchoring machine foot to Isolator.  
Location varies with each order.



Isolator		L	W	H	Foundation Tolerances		Weight (lbs)	
Series	Model			Min. Installed Height ( $\pm 1/8"$ )	Flatness (inches $\pm$ )	Slope (inches/foot)		
24MXBN	1 Layer	24MXBN0801	21.7	15.8	3.2	0.07	0.04	194
		24MXBN0951	21.7	15.8	3.2	0.07	0.04	194
		24MXBN1241	21.7	15.8	2.8	0.05	0.03	189
25MXBN	1 Layer	25MXBN1441	21.7	15.8	2.6	0.04	0.03	187
		25MXBN1601	21.7	15.8	2.3	0.03	0.02	182
24MXBN	2 Layer	24MXBN0802	21.7	15.8	5.1	0.07	0.09	246
		24MXBN0952	21.7	15.8	5.1	0.07	0.09	246
		24MXBN1242	21.7	15.8	4.4	0.05	0.07	236
25MXBN	2 Layer	25MXBN1442	21.7	15.8	3.9	0.04	0.03	232
		25MXBN1602	21.7	15.8	3.2	0.03	0.03	222
24MXBN	3 Layer	24MXBN0803	21.7	15.8	7.0	0.07	0.13	298
		24MXBN0953	21.7	15.8	7.0	0.07	0.13	298
		24MXBN1243	21.7	15.8	5.9	0.05	0.1	282
25MXBN	3 Layer	25MXBN1443	21.7	15.8	5.2	0.04	0.08	276
		25MXBN1603	21.7	15.8	4.2	0.03	0.05	261
24MXBN	4 Layer	24MXBN0804	21.7	15.8	8.9	0.07	0.18	338
		24MXBN0954	21.7	15.8	8.9	0.07	0.18	338
		24MXBN1244	21.7	15.8	7.5	0.05	0.14	318
25MXBN	4 Layer	25MXBN1444	21.7	15.8	6.6	0.04	0.11	310
		25MXBN1604	21.7	15.8	5.2	0.03	0.07	290



### TYPICAL APPLICATIONS

- Presses, Mechanical
- Forging Presses
- Transfer Presses
- Hydraulic Presses
- Isolated Foundations
- Structures

**NOTE: Isolator data subject to change without notice.**

**05/09/2019**