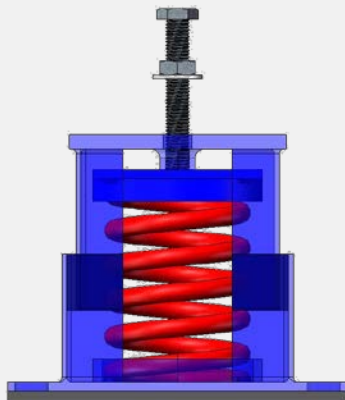
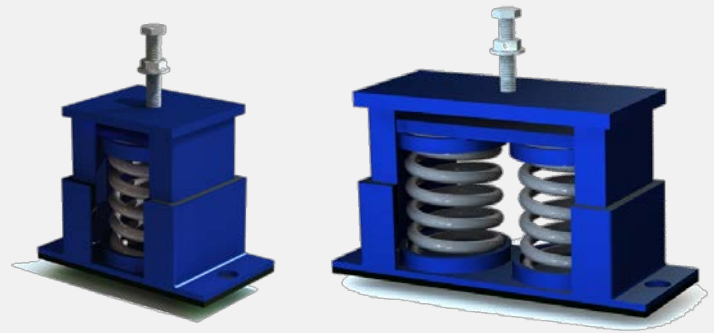


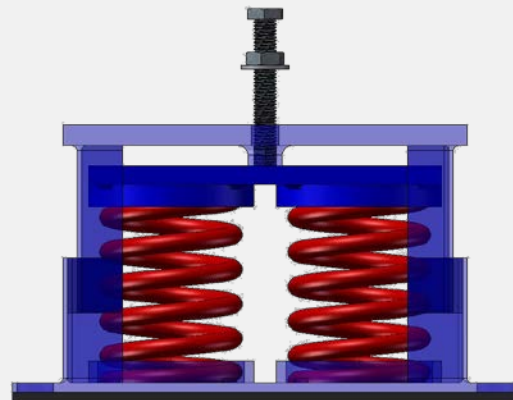
Type VSC-XH1 Housed Spring Mount

Features:

- 2 Models and 10 Load ranges.
- Load ratings up to 4860 lbs. (2200 kgs.)*
- Deflection up to 1" (25mm)* at rated load with a 15% tolerance.
- All mounts have approximately 50% overload capacity.
- Powder coated springs for superior corrosion protection.
- Color coded springs for easy identification of load capacity.
- Steel fabricated enclosure provides protection, horizontal stability, and high load capacity.
- All mounts have external leveling capable of compensating for full static deflection.
- Inner walls of lower housing have resilient cushions that:
 - Eliminates the possibility of binding by providing a smooth guide path for the top housing.
 - Limits lateral movement at equipment start-up and shut-down or due to horizontal wind load.
 - Prevents vibration short-circuiting by avoiding metal to metal contact.



Single Spring



Double Spring

Typical Applications:

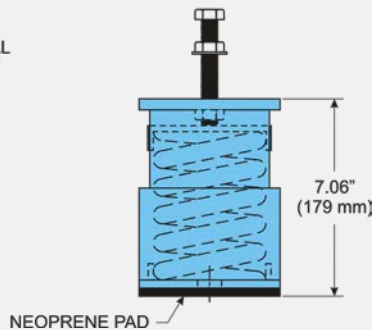
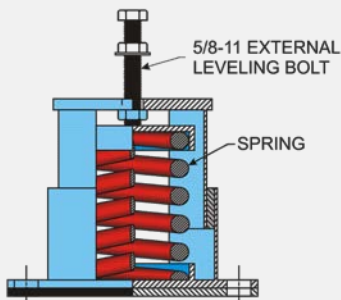
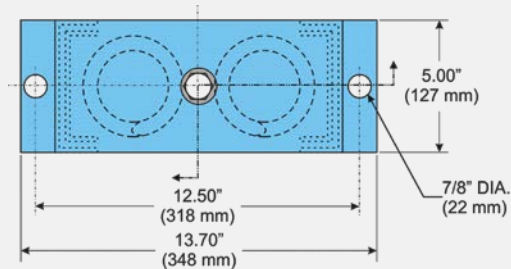
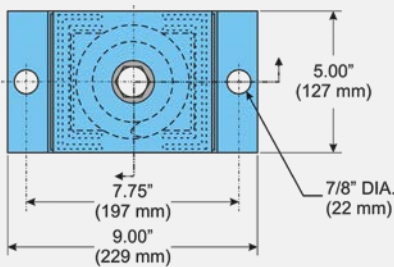
General industrial equipment, Gen-sets, Diesel Generators, Compressors, Pumps, Chillers, Cooling Towers, Centrifugal / Axial Fans, Blowers, Condensing Units, Rooftop Packaged Units, Small High-Speed Punch Presses, Furnaces and Induction Heaters, etc.

*Note:

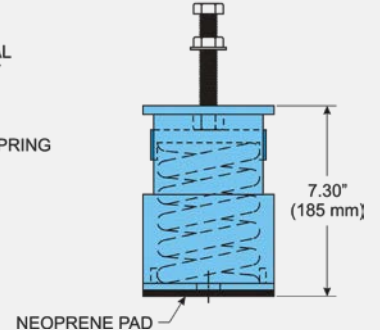
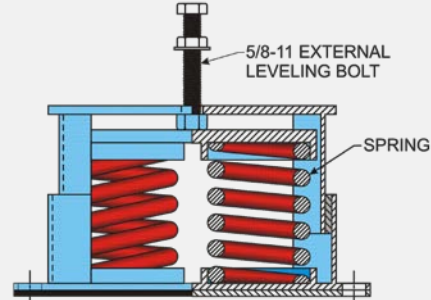
Custom load ranges and deflections as well as Internal Leveling models (VSC-NH) are also available. Seismic models (VSC-XVH and VSC-NVH) are also available.

VSC-XH1 Isolator Specifications

Model Number	Number of Springs	Spring Color	Deflection (inches)		Maximum Load	
			In.	mm	lbs.	Kg.
VSC-XH1-051	1	Black	1.46	37	730	332
VSC-XH1-081		Blue	1.31	33	1080	490
VSC-XH1-101		Green	1.20	30	1200	545
VSC-XH1-151		Yellow	1.04	26	1600	727
VSC-XH1-241		Red	1.00	25	2430	1104
VSC-XH1-052	2	Black	1.46	37	1460	663
VSC-XH1-082		Blue	1.31	33	2160	981
VSC-XH1-102		Green	1.20	30	2400	1090
VSC-XH1-152		Yellow	1.04	26	3200	1453
VSC-XH1-242		Red	1.00	25	4860	2207



SINGLE SPRING



DOUBLE SPRING

VIBRO/DYNAMICS LLC

2443 Braga Drive Broadview, IL 60155-3941
 708-345-2050 Telephone 708-345-2225 fax
 800-842-7668 (in USA)
 www.vibrodynamics.com email: vibro@vibrodynamics.com