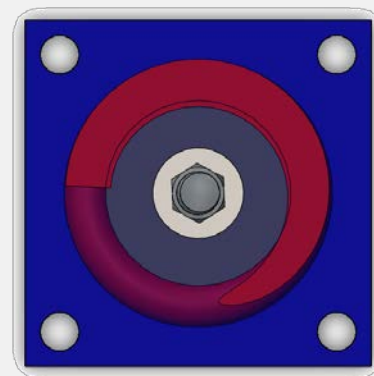
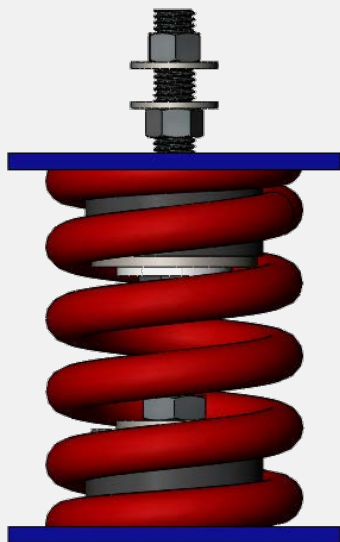
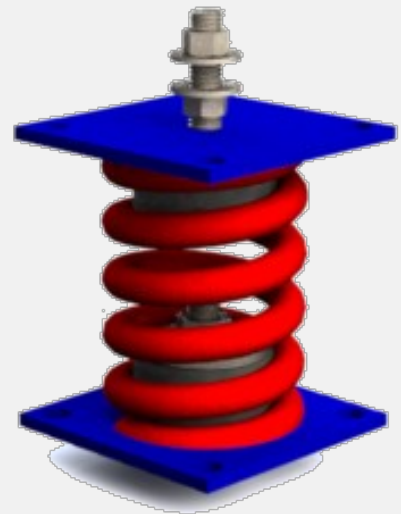


Type VSC-X1

Open Spring Mounts

Features:

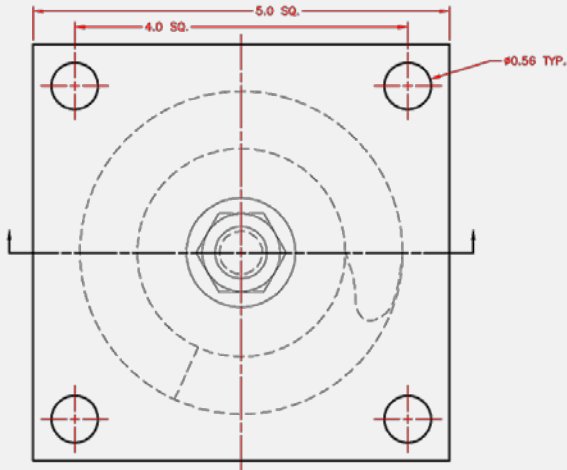
- Load ratings to 4860 lbs. (2200 kg.)
- Deflection up to 1" (25mm)* at rated load with a 15% tolerance.
- Five load ranges.
- All mounts have approximately 50% overload capacity.
- Powder coated springs for superior corrosion protection.
- Color coded springs for easy identification of load capacity.
- All mounts have external leveling capable of compensating for full static deflection.
- Mounts can be bolted or welded to a substructure or can be free-standing.



Typical Applications:

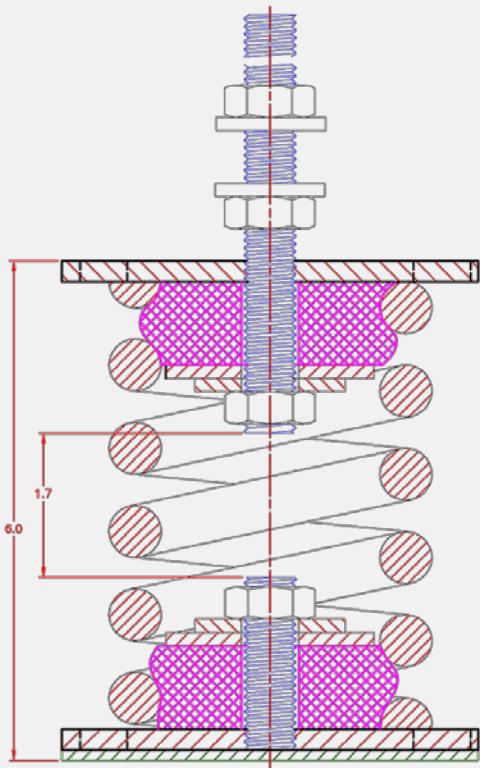
Vibro/Dynamics VSC-X1 open spring mounts are designed to isolate vibration from just about any conceivable rotating or reciprocating action type of machine. Examples are: general industrial equipment, Gen-sets, Diesel Generators, Compressors, Pumps, Chillers, Cooling Towers, Centrifugal / Axial Fans, Blowers, Condensing Units, Rooftop Packaged Units, Small High-Speed Punch Presses, Furnaces and Induction Heaters, etc. These mounts can also be used to protect precision machines and equipment from a high vibration and shock environment.

For applications with high unbalanced forces, consider VSC-XH housed and VSC-XHV restrained spring mounts. Custom load ranges and deflections are also available.



VSC-X1 Isolator Specifications

Model Number	Spring Color	Deflection		Maximum Load	
		inches	mm	lbs.	Kg.
VSC-X1-051	Black	1.46	37	730	332
VSC-X1-081	Blue	1.31	33	1080	490
VSC-X1-101	Green	1.20	30	1200	545
VSC-X1-151	Grey	1.04	26	1600	727
VSC-X1-241	Red	1.00	25	2430	1104



VIBRO/DYNAMICS LLC

2443 Braga Drive Broadview, IL 60155-3941
 708-345-2050 Telephone 708-345-2225 fax
 800-842-7668 (in USA)
 www.vibroynamics.com email: vibro@vibroynamics.com