

Nivell® GS-41 Series Adjustable Leveling Wedges

Nivell GS Series wedge mounts are designed for machines with or without mounting holes. Several different size anchoring bolts are available. Support plates are available for machines without mounting holes.

Leveling is accomplished using the horizontal adjustment screw. Leveling adjustments can be made without the assistance of a hydraulic jack. GS mounts are capable of swiveling up to 5 degrees to compensate for a sloping floor. This keeps the mount uniformly loaded.

The unadjusted height of the GS model will vary depending on the insert spacer used. An additional 0.2 inches of height is available by turning over the TW16/21 or the TW26/31 insert spacers. See sketch below.

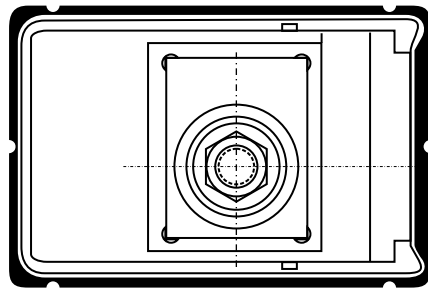
Nivell wedge mounts are designed for machine tools, plastic injection molding machines, die casting machines, and various machines used in the printing, textile and food industries.



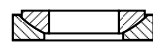
GS41 + TW26/31

Material Construction:

- Cast aluminum wedge assembly
- Non-slip bottom pad
- Optional Nitrile isolation pad
- Anti-corrosive mounting hardware



SPACER PLATE ASSEMBLIES AND CONFIGURATIONS

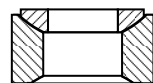


TK8 Spacer
0.32" thick

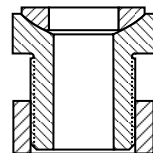
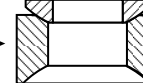
The TW16/21 and TW26/31 spacers can be turned over to increase the height by 0.2 inches



← TW16/21 Spacer
0.63"/0.83" thick →



← TW26/31 Spacer
1.02"/1.22" thick →

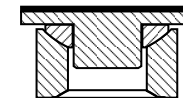


TG37 threaded spacer
increases adjustment
range by 0.39".
1.8" thick

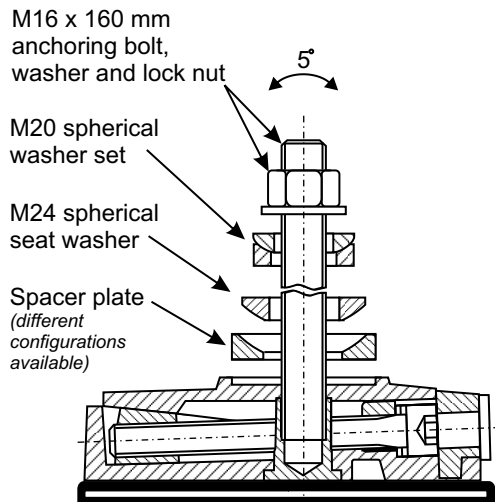
For machines without mounting holes, a TH15 support plate can be used with the TW16/21 and TW26/31 spacers instead of an anchoring bolt.



TW16/21 + TH15
0.91"/1.1" thick



TW26/31 + TH15
1.3"/1.5" thick



GS41

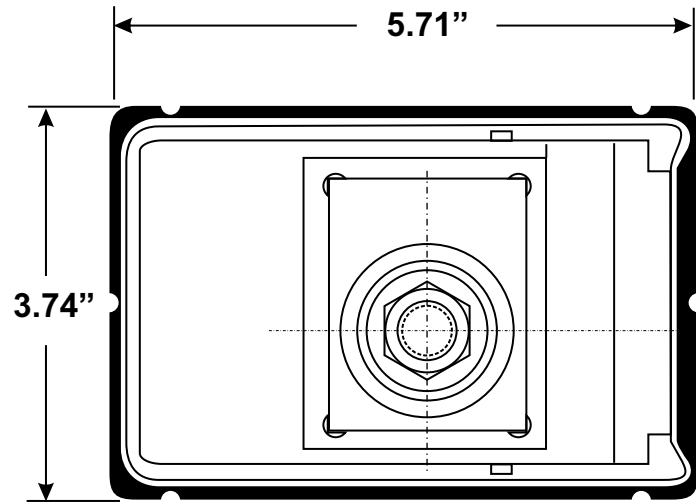
2 elastomeric layers



GS41-50 + TW16/21 + TH15

SS-GS41 Series 2006.05

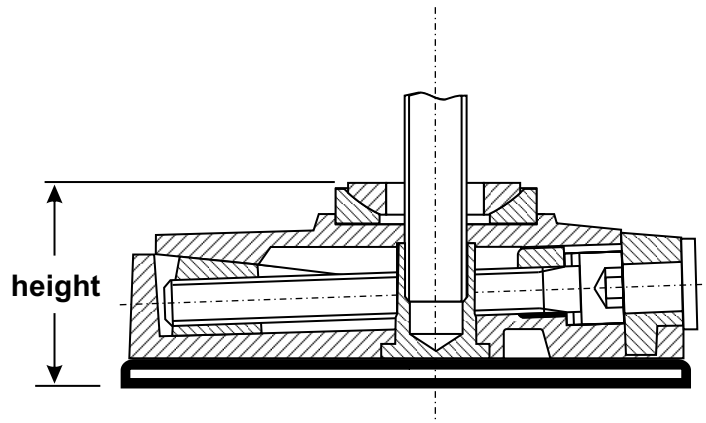
Nivell® GS41 Series Technical and Dimensional Data



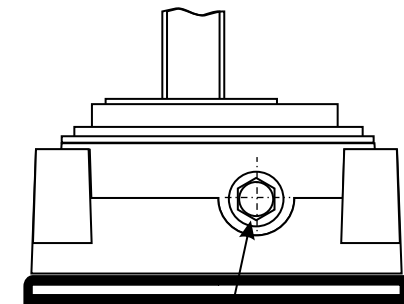
Basic Model No.	GS41-50	GS41-90
Maximum Load (lbs.)	9000	9000
Torque at Maximum Load (ft. lbs.)	26	26
Adjustment Range (inch)	0.28	0.28
Durometer	50	90
Static Stiffness (M lbf./inch)	1.2	1.8
Dynamic Stiffness (M lbf./inch)	1.7	3

Dimensional Data for GS Leveling Wedges			
Model Number	Height (inches)		Weight lbs.
	Minimum	Maximum	
GS41-xx + TK8	1.93	2.21	3.80
GS41-xx + TW16/21	2.24	2.52	4.17
GS41-xx + TW26/31	2.64	2.91	4.89
GS41-xx + TG37	3.46	3.74	4.92
GS41-xx + TW 16/21 + TH15	2.52	2.80	3.95
GS41-xx + TW 26/31 + TH15	2.91	3.19	4.68

xx denotes the durometer. Use 50 durometer for grinder applications.



GS41 - 2 elastomeric layers



10 mm Allen key
for level adjustment